



**SPECTRA**  
WATERMACHINES™

# Catalina 300

*Modular System*



300 gal/day Watermachine

# Catalina 300

*One of the Simplest, Most Energy Efficient Marine Watermakers Available Today.*

The **Catalina 300** is affordable, light weight and compact with all the great features Spectra has become known for. The Catalina 300 is easy to install, simple to use, quiet and very energy efficient, delivering approximately one gallon of product water per amp at 12VDC. Catalina 300's modular construction allows for easy owner installation and is ideal for those limited spaces on cruising and racing vessels where more water is needed. With the Catalina 300 on board, there is no reason to compromise your creature comforts while cruising. You will have plenty of freshwater left over for boat and gear.

Spectra's exclusive high pressure Clark Pump Intensifier maintains the proper pressures in the system's membrane throughout a wide range of ocean temperatures and water conditions without any adjustments or loss of product water output. The tough composite construction is corrosion resistant for superior reliability.

The Catalina 300 is available in two versions: **Semi-Manual** which includes a remote instrument panel with start/stop and freshwater flush controls, analog pressure gauge and product flow meter, a hand-held salinity monitor and intake feed-pump module with cooling fan and manual fresh water flush and the **Catalina 300 MPC** with the same features as the *Semi-Manual* version, except the analog pressure gauge and product flow meter is replaced by the digital MPC 3000 Control Panel. The Spectra High Pressure Clark Pump Intensifier is factory mounted with a 40 inch membrane in a Spectra high-pressure vessel assembly. High-pressure piping is pre-plumbed at the factory. The module brackets allow for installation in any orientation. All you provide is the two thru-hull fittings and electrical hook up. A One Year Complete Limited Warranty is available through our world wide distributor network.

## **MPC-3000 Controller**

*Simple one button operation*

All Catalina 300 functions are displayed in a 5.25" x 3.75" control display panel located in a convenient space of your choosing away from the watermaker. Multiple control display panels can be added for even more monitoring convenience. The electrical control box has a built-in manual override so the watermaker also works without the MPC-3000 electronic control.

### ***Just set it and forget it!***

MPC-3000 displays the pre-filter condition, feed water pressure, water tank full status (with optional tank switch), product water quality, flow rate and total system hours. One touch to the MPC-3000 touch pad sets the Catalina 300 in motion. Reject water is automatically diverted back to the ocean by the MPC-3000 controller, the desired amount of water fills the storage tanks, the system flushes itself clean and shuts itself off. You can set the controller to keep your Catalina 300 in a fresh water storage state for as long as you like.

### **Leaving the vessel for a while?**

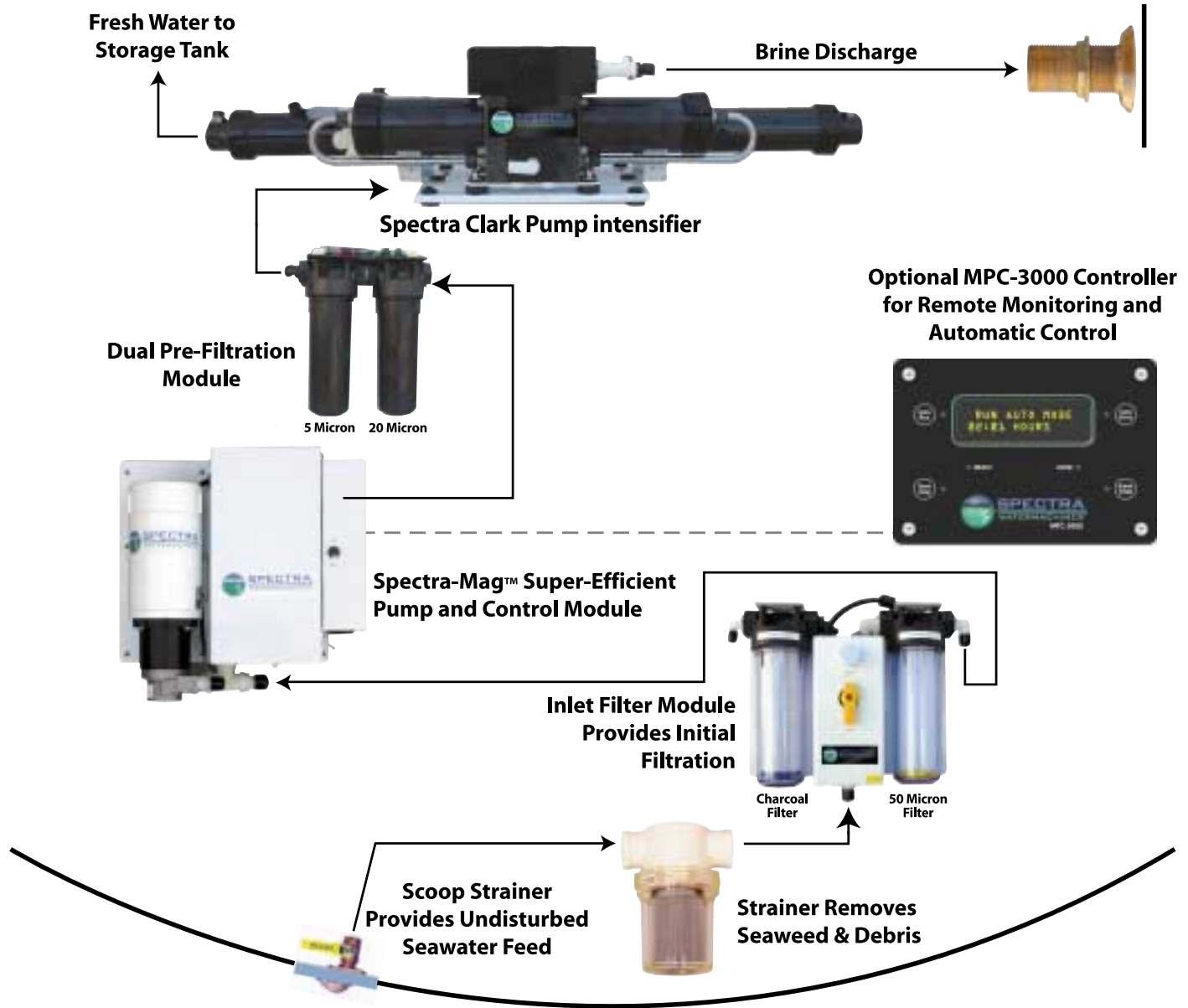
Just press the **Auto-Store** button and the MPC-3000 controller will do an automatic flush every 5 days. No more worries about messy storage chemicals. And when you return to your vessel, your system is ready to start up and go.

Z-Brane™ keeps your system clean without chemicals. Top off your Spectra System with the new Z-Brane™. This revolutionary technology keeps Catalina 300 clean and free of bio-fouling and scaling. Cleaning with chemicals substantially shortens the usable life of reverse osmosis membranes. The Z-Brane™ eliminates the need for harsh chemicals used to clean and store your watermaker.

Ask your distributor about the Z-Brane™ and Z-Guard™ protection systems.

**For more information ask your distributor or call 415 526-2780**

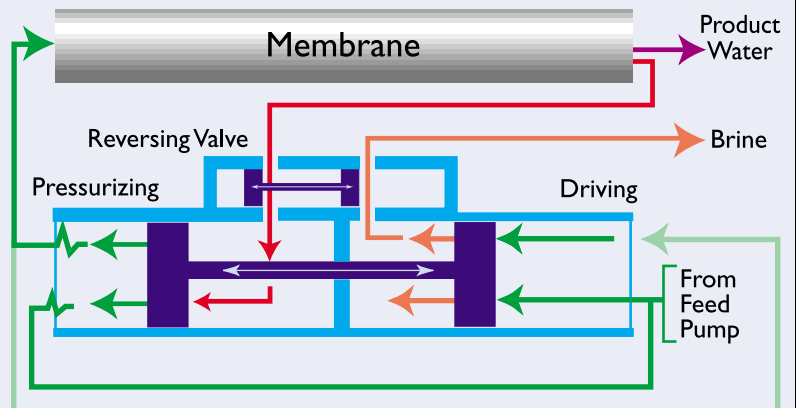
# System Layout



## Spectra's Exclusive Intensifier – Quiet, Efficient, Reliable

### Spectra's Exclusive Two Stage Intensifier System *Revolutionary Watermaking Development*

In 1997 Spectra pioneered a new and highly efficient watermaker system. The Spectra Intensifier reduces energy consumption by as much as 75% over conventional systems. Units are constructed of modern composites and engineered plastics to deliver many years of quiet, reliable service. Spectra has tens of thousands of hours of field experience and a worldwide service network.



**Got an unusual application? Call a Spectra Tech at 415 526-2780**

# Catalina 300 Specifications

## WATER PRODUCTION

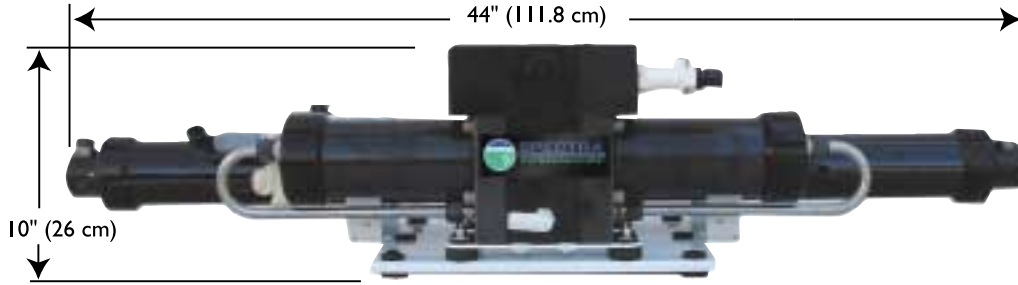
Output with 77°F/25°C seawater      Gallons per Day / Hr      (Liters per Day / Hr)  
 300 / 12.5      (1,134 / 47)  
 (Rated at 77°F (25°C) Seawater Temperature at 35,000 PPM Dissolved Solids +/-15%)

## POWER REQUIREMENTS

Watt/Hr per Gallon      15 whpg  
 Current Draw (12VDC)      15 Amps  
 Current Draw (24VDC)      7.5 Amps

## SYSTEM TOTAL WEIGHT

Catalina 300 Dry      75 lb (34 kg)



Depth = 12" (30.5 cm)  
**Spectra Clark Pump Intensifier**



Depth = 1.625" (4.25 cm)  
**MPC 3000 Controller**



Depth = 5" (12.7 cm)  
**Spectra-Mag™ Pump Module**

Depth = 4.5" (11.4 cm)  
**Pre-Filter Module**



Depth = 6" (15.3 cm)  
**Inlet Filter Module**



**SPECTRA**  
 WATERMACHINES™

**Spectra Watermakers, Inc.**  
 20 Mariposa Road, San Rafael, CA 94901  
 phone: 415 526-2780 • fax: 415 526-2787  
 www.spectrawatermakers.com

Distributor